

Orenco® UV and AXUV Disinfection Units

Applications

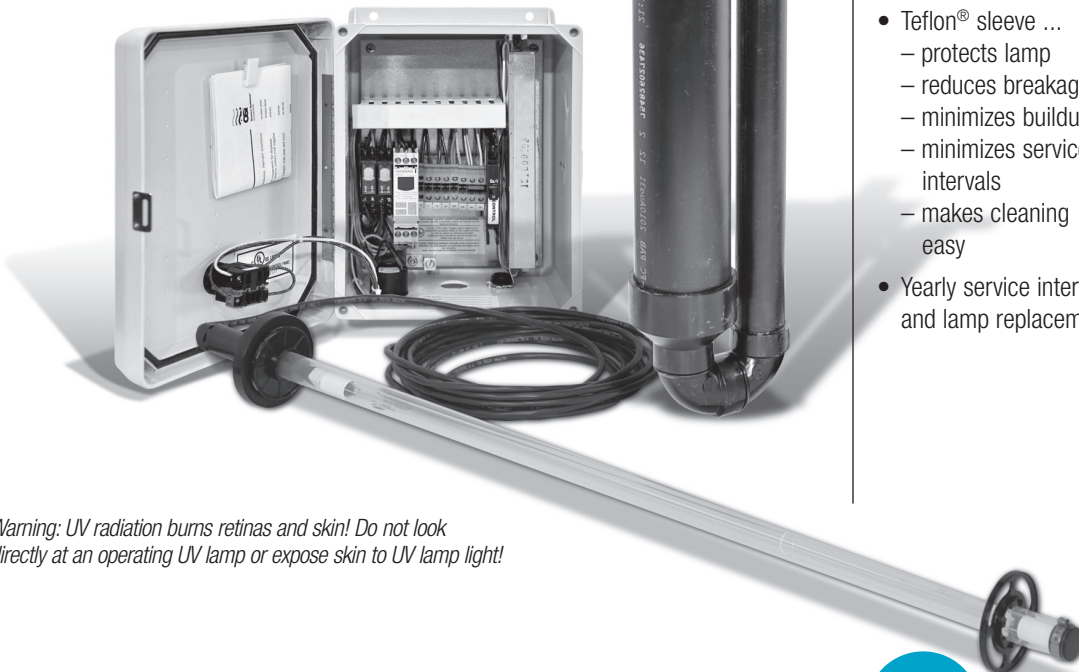
The Orenco® UV and AXUV Disinfection Units provide UV disinfection in residential applications after advanced secondary treatment (10 mg/L cBOD₅/TSS), when disinfection is required before dispersal. Treated effluent flows by gravity through the contact chamber and around the UV lamp where it is disinfected in a 360-degree contact zone.

Orenco UV units dramatically reduce bacteria and viruses. In side-by-side NSF® testing, they reduced bacteria by 99.999% (5 logs), meeting or exceeding the performance of other residential UV disinfection units.

Both the Orenco UV and AXUV Disinfection Units require installation inside a pump or gravity discharge basin or in a separate tank following advanced secondary treatment. Both are gravity-flow units.

The AXUV is specifically designed to follow AdvanTex® Treatment Systems. It can be also be mounted inside of the AX20-RT Treatment System.

The Orenco® UV Disinfection Unit is unlike any other disinfection unit on the residential wastewater market. It dramatically reduces bacteria and viruses, when used as directed.



Warning: UV radiation burns retinas and skin! Do not look directly at an operating UV lamp or expose skin to UV lamp light!

To Order

Call your nearest Orenco Systems®, Inc. Distributor. For nearest Distributor, call Orenco at 800-348-9843, or visit www.orenco.com and click on "Where to Buy."

Standard Features & Benefits

Better Product

- UL-recognized
- NSF® equivalency tested
- Fecal coliform reduction of 99.999% (5 logs)
- Flow path designed to maximize contact time between effluent and lamp
- Unit comes fully-assembled
- Components designed to work together; no piecemeal disinfection units and wiring
- Quick-disconnect coupling makes unit easy to remove for inspection and cleaning
- Teflon® sleeve ...
 - protects lamp
 - reduces breakage
 - minimizes buildup
 - minimizes service intervals
 - makes cleaning easy
- Yearly service interval and lamp replacement

Better Controls

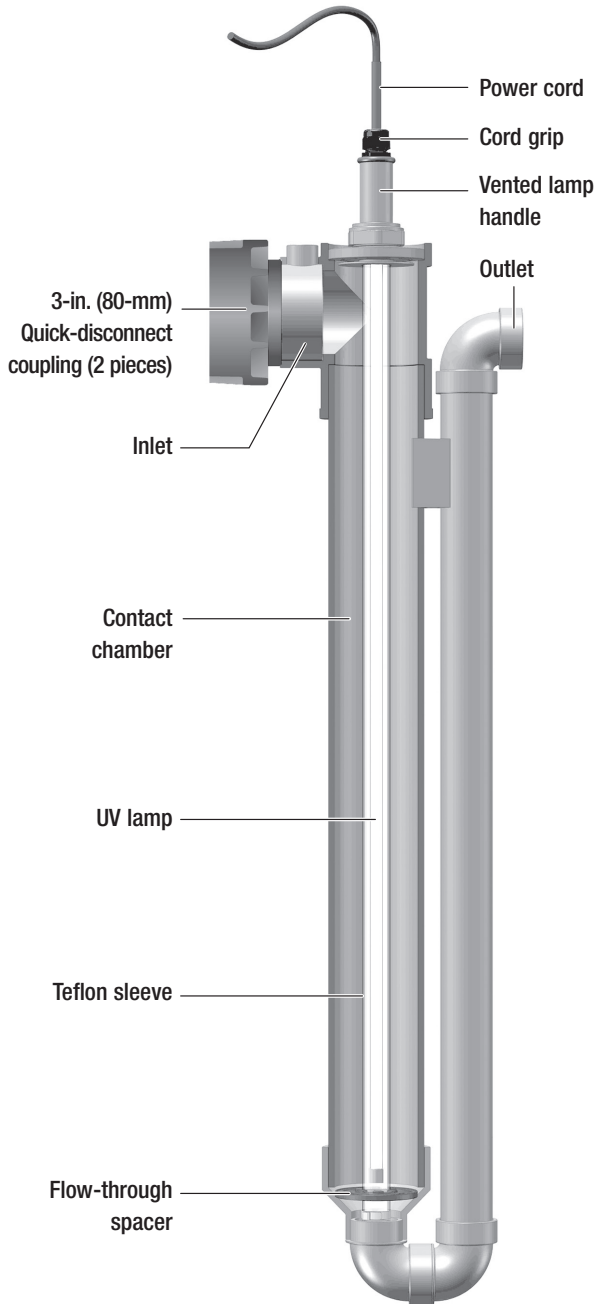
- Power ballast and lamp current sensor housed in control panel (not a tank or wet well) to minimize corrosion and failure due to environmental exposure
- Panel prevents discharge of non-disinfected effluent due to lamp failure or control panel failure¹
- Audible and visible alarm activated if lamp fails²
- E-mail alert sent if lamp fails³
- For more information, call Orenco at 800-348-9843 or 541-459-4449

¹ AXUV only

² AXUV or UVIB panel only

³ AXUV with VCOM® panel only

UV Disinfection Unit Components



Performance

Typical contact chamber UV dose (65% transmittance, 20% lamp degradation)	276,000 $\mu\text{W}\cdot\text{s}/\text{cm}^2$ at 1 gpm (0.06 L/sec) 55,000 $\mu\text{W}\cdot\text{s}/\text{cm}^2$ at 5 gpm (0.32 L/sec) 28,000 $\mu\text{W}\cdot\text{s}/\text{cm}^2$ at 10 gpm (0.63 L/sec)
Minimum target dose	30,000-38,000 $\mu\text{W}\cdot\text{s}/\text{cm}^2$
Lamp	31 in. (787 mm), 92 VAC, 50 or 60 Hz, 425 mA, 38 W; 254 nm UVC intensity at 1m is 125 $\mu\text{W}/\text{cm}^2$
Power cord length	600V, 18/2 UL Type TC, 25 ft (7.62 m) std
Cord plug	UL listed four-pin connector, lamp-holder, electric discharge, 1000 V or less
Ballast	120 VAC, 50 or 60 Hz, located in UL listed Orenco® control panel
Circuit breaker	10 A, OFF/ON switch; Single-pole 120 V*, DIN rail mounting with thermal magnetic tripping characteristics
Audible alarm*	95 dB at 24 in. (610 mm), warble-tone sound
Visual alarm*	$\frac{7}{8}$ -in. (22-mm) diameter red lens, "Push-to-silence," UL Type 4X rated, 1 W LED light, 120 V

* Standard on VeriComm, MVP, and UVIB panels. Not available with UVIBSUB panels.

Model Codes for Ordering

