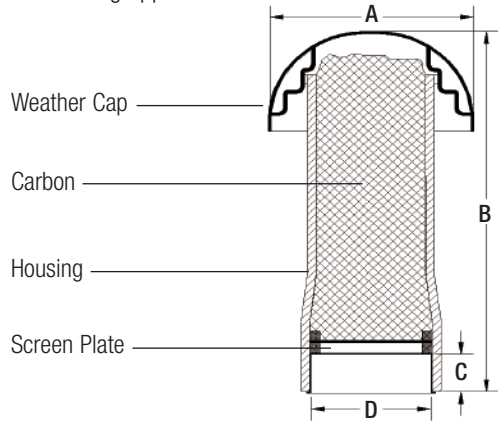


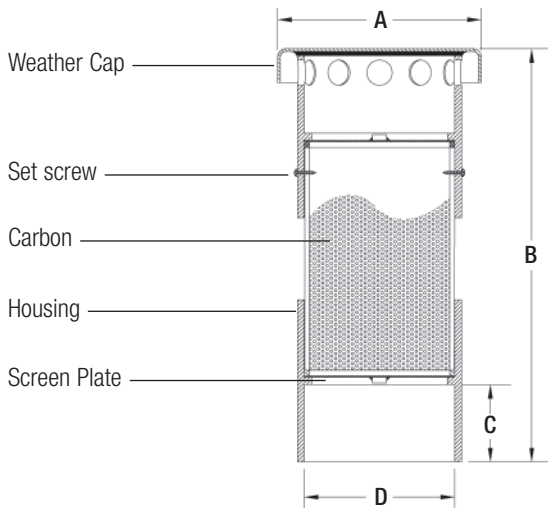
# Carbon Filters

## Applications

Orenco Carbon Filters reduce the odor of sewer gases in passive air-flow venting applications.



CF3, CF4 Cutaway View (side)



CF6 Cutaway View (side)



CF3, CF4 Actual View (side)



CF6 Actual View (side)

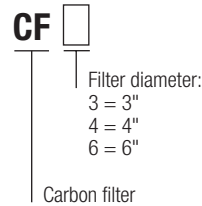
## General

The Orenco Carbon Filter attaches to vent pipes with a slip fit. The weather cap is removable to allow replacement of the carbon package. Carbon replacement frequency will be based on the volume and strength of gases being scrubbed by the filter. Carbon recharge packages, adapter bushings, and custom sizes are available.

## Standard Models

CF3, CF4, CF6

## Product Code Diagram



## Materials of Construction

Weather Cap:	ABS (CF3, CF4), Fiberglass (CF6)
Carbon:	Granular activated impregnated carbon
Housing:	UV-resistant PVC
Screen Plate:	Polyethylene

## Specifications

Dimensions	CF3	CF4	CF6
A, in. (mm)	5 ½ (139)	5 ½ (139)	9 (229)
B, in. (mm)	10 (254)	12 ½ (318)	18 5/16 (465)
C, in. (mm)	1 ¼ (31.8)	1 ½ (38.1)	3 7/16 (87.3)
D, in. (mm)	3 ½ (88.9)*	4 ½ (114)*	6 5/8 (168)*
Carbon weight, lbs (kg):	0.9 (0.41)	1.6 (0.73)	6.0 (2.73)
H <sub>2</sub> S capacity, grams/cc:	0.14	0.14	0.14

\*Fits nominal 3", 4", and 6" vent pipe. Fittings are available to adapt to other vent pipe sizes.